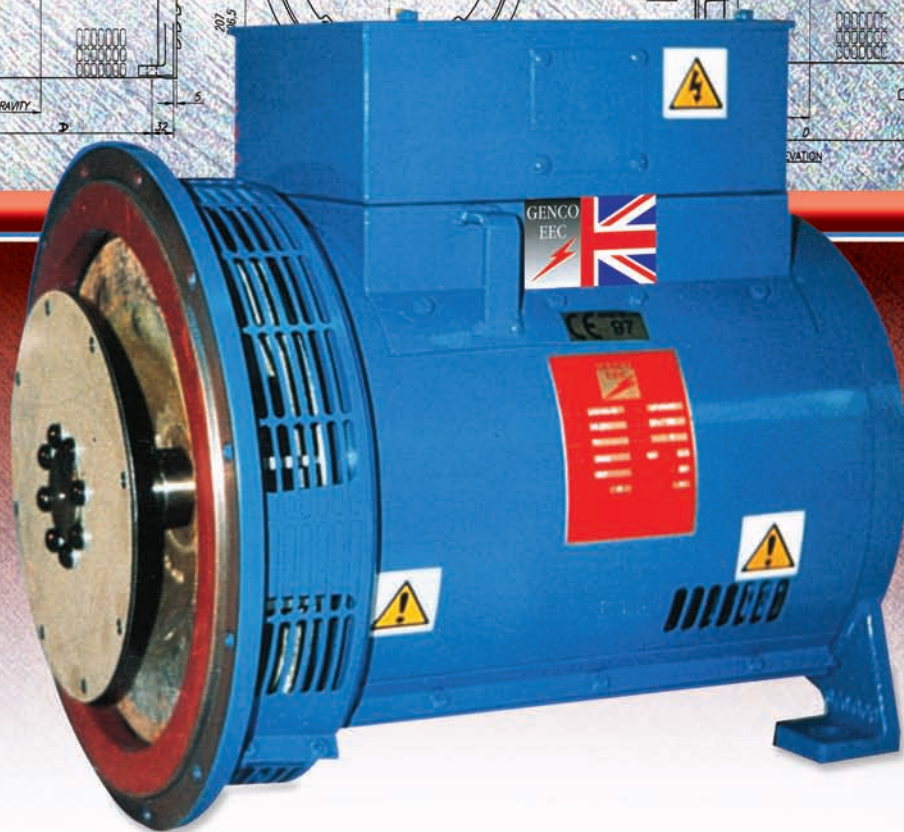


# Alternators



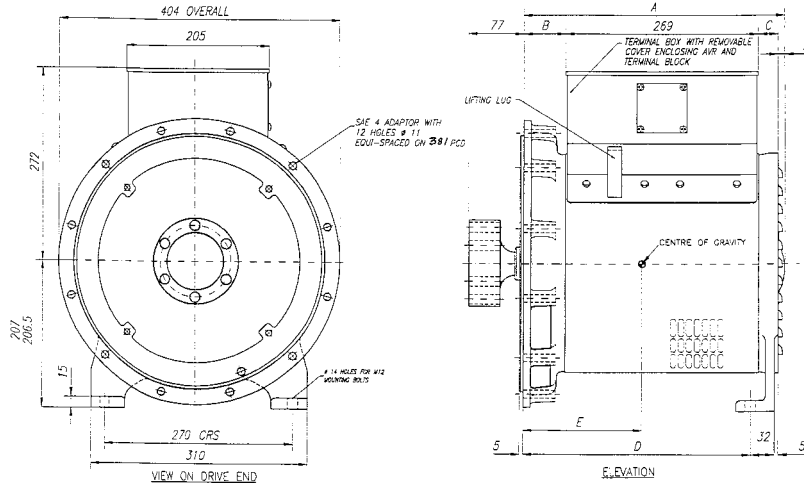
**Range:**

- RF3K            2 POLE
- RFL202        4 POLE
- RF202          4 POLE
- RF402          4 POLE
- RFG202       4 POLE
- RFG402       4 POLE
- 5-106 KVA
- 50/60 HZ

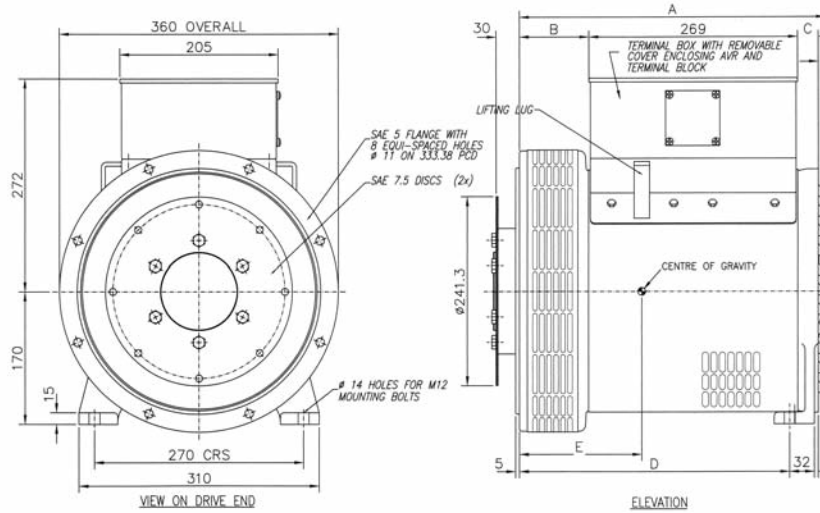


**RFL 202  
FOR LISTER ENGINES TS/TR**

**4 POLE**



ITEM	MODEL	DIM A	DIM B	DIM C	DIM D	DIM E	WT kg
1	RFL202A-C	363	55	27	317	170	74 / 83 / 91
2	RFL202D-E	400	76.5	45.5	354	200	102 / 115
3	RFL202F-G	463	93	77	417	240	130 / 150



**RF 202 (Single BRG)  
FOR ANY ENGINE**

**4 POLE**

ITEM	MODEL	DIM A	DIM B	DIM C	DIM D	DIM E	WT kg
1	RF202A-C	394	89	27	348	230	84 / 93 / 101
2	RF202D-E	431	108	45	385	200	112 / 125
3	RF202F-G	494	139.5	76.5	448	287	140 / 160
4	RF202H-I	673	319	76.5	627	51	185 / 198

OTHER FLANGE AND DISC SIZES AVAILABLE ON REQUEST

**RFL/RF & EFFICIENCIES (0.8 Power Factor - Class H Instalation)**

MODEL	THREE PHASE								SINGLE PHASE							
	50Hz - 1500r/min				60Hz - 1800r/min				50Hz - 1500r/min				60Hz - 1800r/min			
	kVA	kW	Effy %	Input kW	kVA	kW	Effy %	Input kW	kVA	kW	Effy %	Input kW	kVA	kW	Effy %	Input kW
RFL202A	7.4	5.9	77.7	7.6	9.0	7.2	78.7	9.2	5.0	4.0	67.8	5.9	6.2	4.9	69.5	7.0
RFL202B	12.5	10.0	81.6	12.3	15.2	12.1	83.1	14.5	8.0	6.4	72.9	8.8	9.8	7.8	74.6	10.5
RFL202C	15.5	12.4	82.3	15.0	18.9	15.1	83.3	18.1	10.5	8.4	74.0	11.4	13.0	10.4	75.3	13.8
RFL202D	19.0	15.2	86.1	17.6	23.0	18.4	87.0	21.2	13.0	10.4	79.6	13.0	15.0	12.8	80.5	15.9
RFL202E	23.0	18.4	86.5	21.3	28.0	22.4	87.6	25.5	15.5	12.4	80.0	15.5	19.0	15.2	80.9	18.8
RFL202F	27.5	22.0	87.1	25.2	33.5	26.8	88.3	30.4	18.5	14.8	81.2	18.2	23.0	18.4	82.1	22.4
RFL202G	33.0	26.6	87.5	30.4	40.0	32.0	88.6	36.1	22.5	18.0	81.6	22.0	27.5	22.0	82.5	26.7
RF202A	10.0	8.0	77.0	10.5	12.5	10.0	78.0	13.0	6.5	5.0	71.5	7.0	8.0	6.0	72.5	8.0
RF202B	15.0	12.0	78.5	15.0	19.0	12.0	79.0	15.0	10.0	8.0	72.0	11.0	12.5	10.0	74.0	14.0
RF202C	19.0	15.0	82.0	18.0	24.0	14.0	82.5	17.0	12.0	10.0	74.0	13.0	15.0	12.0	75.0	16.0
RF202D	23.0	18.0	82.5	22.0	29.0	23.0	84.0	27.0	15.0	12.0	77.0	15.0	19.0	15.0	77.0	19.0
RF202E	27.0	22.0	84.0	26.0	34.0	27.0	85.0	32.0	18.0	14.0	78.0	18.0	22.5	18.0	80.0	23.0
RF202F	32.0	26.0	85.5	30.0	40.0	32.0	87.0	37.0	21.0	17.0	80.0	21.0	26.0	21.0	81.5	26.0
RF202G	40.0	32.0	87.0	37.0	50.0	40.0	89.0	45.0	26.0	21.0	81.0	26.0	32.5	26.0	82.0	32.0
RF202H	50.0	40.0	88.0	45.0	62.5	50.0	89.0	56.0	32.0	26.0	82.0	32.0	40.0	32.0	84.0	38.0
RF202I	60.0	48.0	88.5	54.0	75.0	60.0	89.5	67.0	40.0	32.0	83.0	38.0	48.0	38.0	84.5	45.0

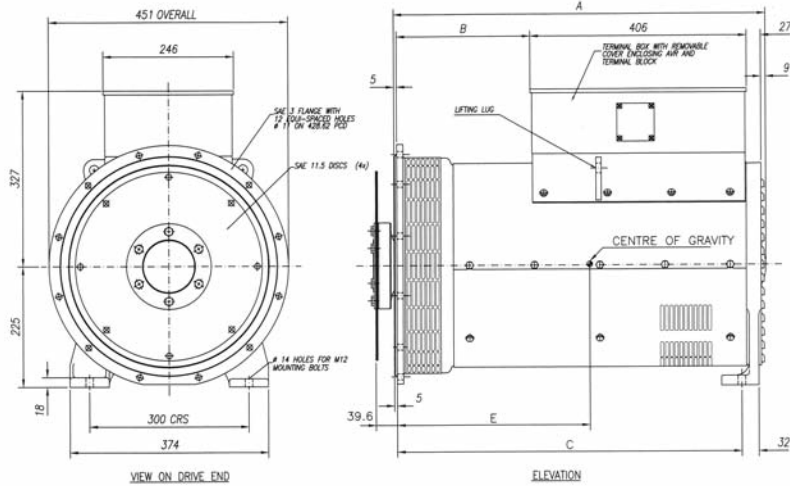
**4  
P  
O  
L  
E**

**4  
P  
O  
L  
E**

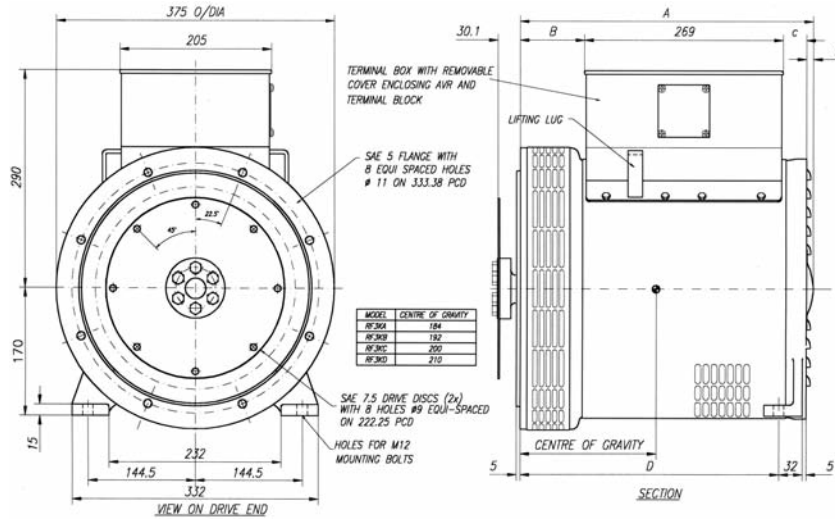
These figures are based on a temperature of 40 degrees C and an altitude of 1000m

**RF 402 (Single BRG)  
FOR ANY ENGINE**

**4 POLE**



ITEM	MODEL	DIM A	DIM B	DIM C	DIM D	WT Kg
1	RF402D-E	694	252	653	230	280 / 325



**RF 3K (Single BRG)  
FOR ANY ENGINE**

**2 POLE**

ITEM	MODEL	DIM A	DIM B	DIM C	DIM D	WT Kg
1	RF3K-A-B-C	397	87	32	351	76 / 90 / 101
2	RF3K-D	432	129.5	24.5	386	120

OTHER FLANGE AND DISC SIZES AVAILABLE ON REQUEST

**RF3K & RF401/2 EFFICIENCIES (0.8 Power Factor - Class H Installation)**

MODEL	THREE PHASE								SINGLE PHASE							
	50Hz - 1500r/min				60Hz - 1800r/min				50Hz - 1500r/min				60Hz - 1800r/min			
	kVA	kW	Effy %	Input kW	kVA	kW	Effy %	Input kW	kVA	kW	Effy %	Input kW	kVA	kW	Effy %	Input kW
RF402D	72.0	57.6	89.6	64.2	90.0	72.0	90.2	79.8	48.0	38.4	82.3	46.6	58.0	46.4	84.3	55.0
RF402E	85.0	68.0	90.1	75.4	106.0	84.8	90.6	93.5	56.0	44.8	84.1	53.2	67.0	53.6	86.4	62.0

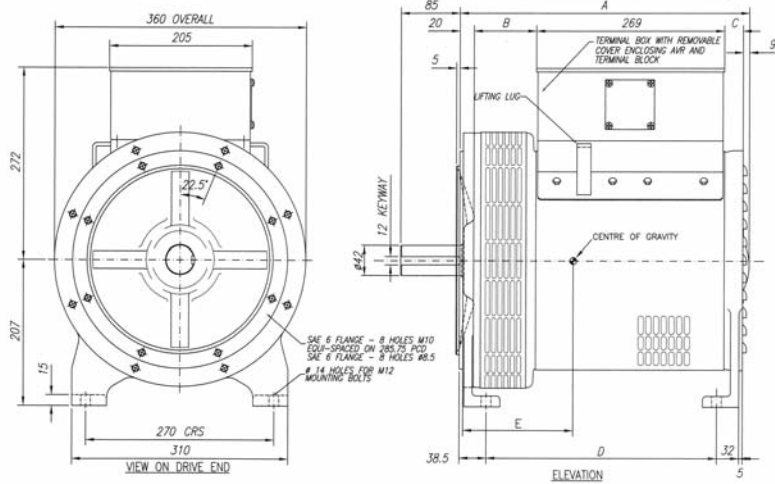
	50Hz - 3000r/min				60Hz - 3600r/min				50Hz - 3000r/min				60Hz - 3600r/min			
	kVA	kW	Effy %	Input kW	kVA	kW	Effy %	Input kW	kVA	kW	Effy %	Input kW	kVA	kW	Effy %	Input kW
	RF3KA	13.5	10.8	82.5	13.1	16.8	13.5	83.5	16.1	10.0	8.0	78.7	10.1	12.5	10.0	80.7
RF3KB	22.0	17.6	84.2	20.9	27.5	22.0	74.3	26.1	15.0	12.0	8.2	14.9	18.75	15.0	82.6	18.1
RF3KC	28.0	22.4	85.4	26.2	35.0	28.0	88.5	32.3	19.0	15.2	83.1	18.2	23.75	19.0	85.3	22.2
RF3KD	38.0	30.4	86.0	35.3	47.5	38.0	88.0	43.1	25.0	20.0	84.3	23.7	31.3	25.0	86.5	28.9

These figures are based on a temperature of 40 degrees C and an altitude of 1000m

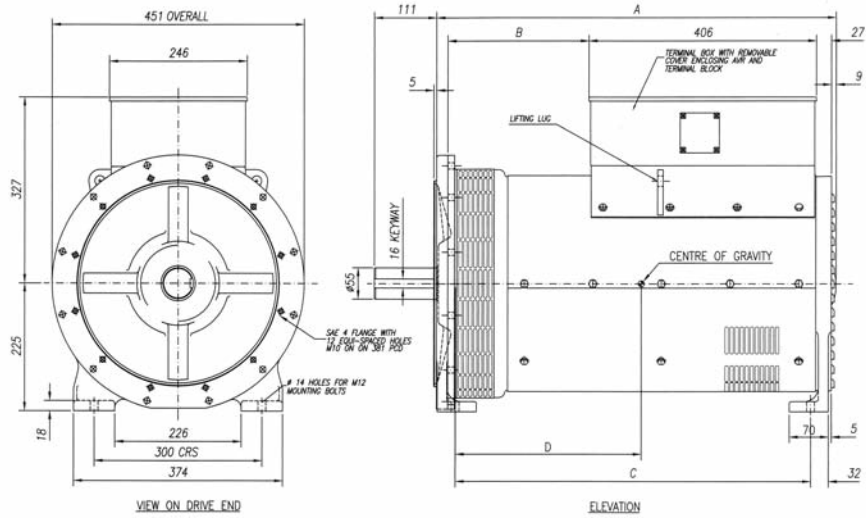
**2  
P  
O  
L  
E**

RF202 (2 BRG)  
FOR ANY ENGINE

4 POLE



ITEM	MODEL	DIM A	DIM B	DIM C	DIM D	WT Kg
1	RF202A-C	414	89	27	329.5	87 / 96 / 104
2	RF202D-E	451	108	45	366.5	115 / 128
3	RF202F-G	514	139	76.5	429.5	145 / 165
4	RF202H-I	693	319	76.5	609	185 / 198



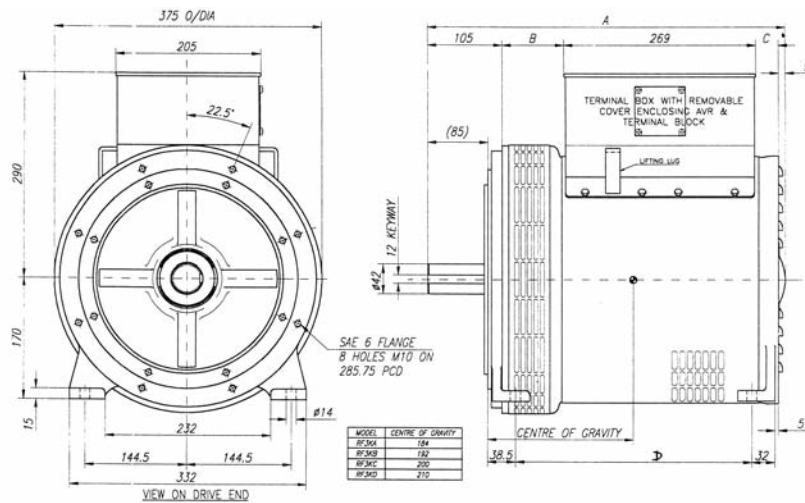
RF402 (Twin BRG)  
FOR ANY ENGINE

4 POLE

ITEM	MODEL	DIM A	DIM B	DIM C	DIM D	WT Kg
1	RF402A-B-C	604	162	524	320	195 / 200 / 256
2	RF402D-E	714	272	634	230	290 / 335

RF3K (2 BRG)  
FOR ANY ENGINE

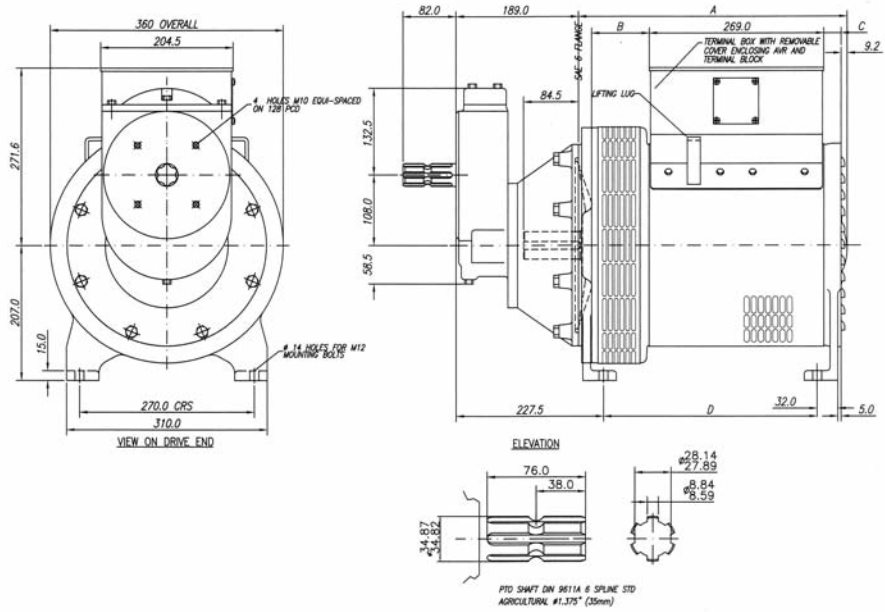
2 POLE



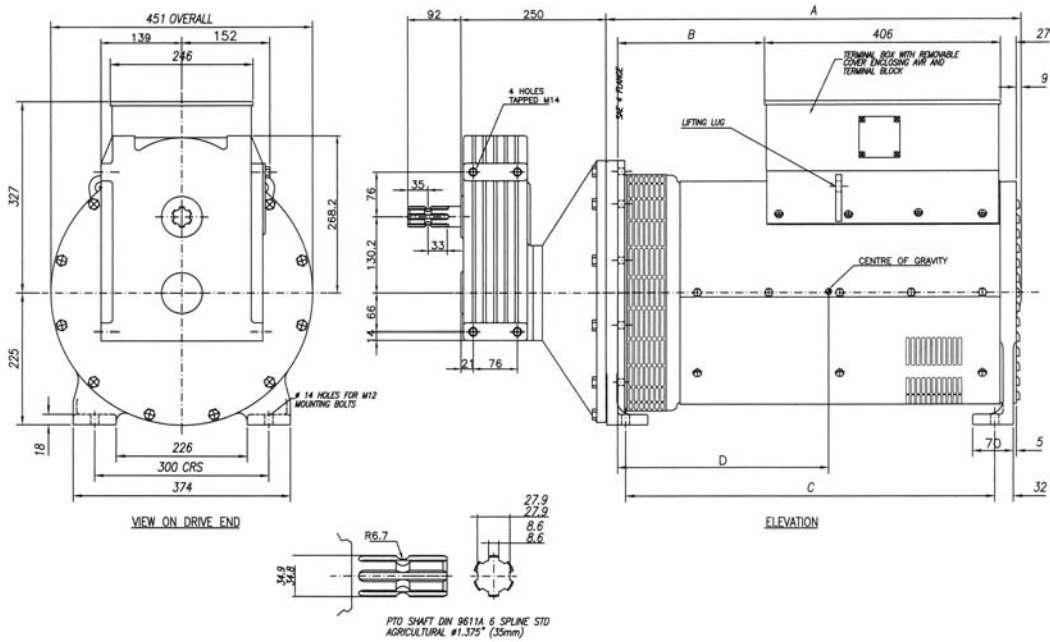
ITEM	MODEL	DIM A	DIM B	DIM C	DIM D	WT Kg
1	RF3KA-B-C	502	87	32	332	81 / 95 / 106
2	RF3KD	537	129.5	24.5	367	125

# RFG 202 FOR TRACTOR DRIVE

4 POLE



ITEM	MODEL	DIM A	DIM B	DIM C	DIM D	WT Kg
1	RFG202A-C	414	89	27	329.5	109 / 118 / 126
2	RFG202D-E	451	108	45	366.5	137 / 150
3	RFG202F-G	514	139.5	76.5	429.5	165 / 185
4	RFG202H-I	693	139.5	76.5	609	210 / 223 / 244



# RFG 402 FOR TRACTOR DRIVE

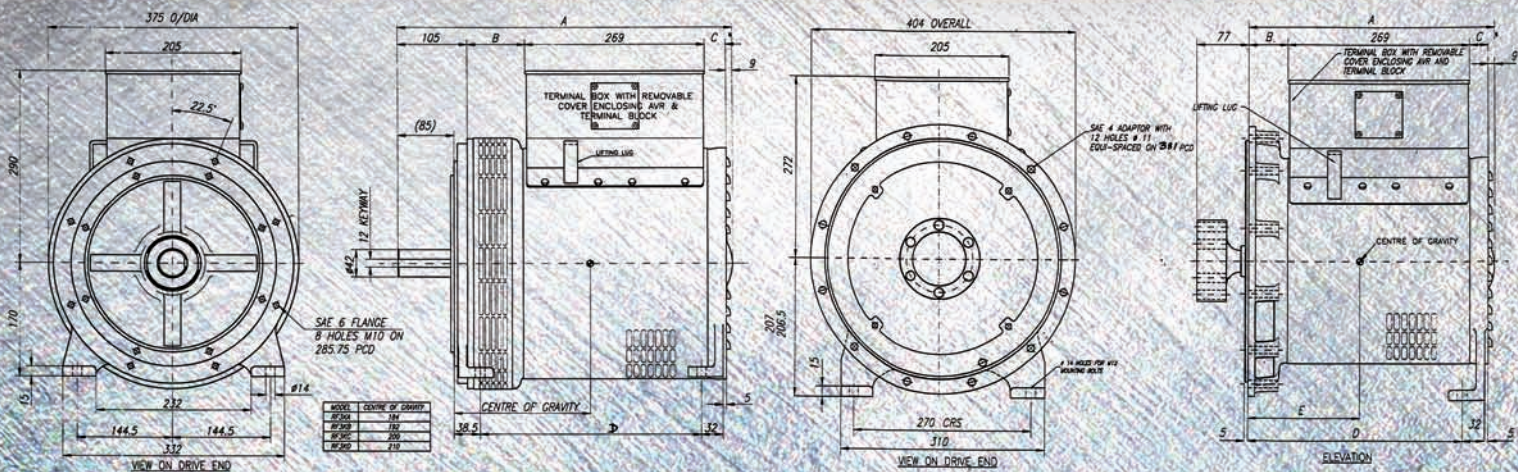
4 POLE

ITEM	MODEL	DIM A	DIM B	DIM C	DIM D	WT Kg
1	RFG402D-E	714	272	634	130	315 / 360

## OUTPUTS & INPUTS POWER REQUIREMENTS

MODEL	kVA 3	Input kW	kVA 1pH	Input kW
RFG402D	72	64	48	47
RFG402E	85	75	56	53

MODEL	kVA 3	Input kW	kVA 1pH	Input kW
RFG202B	15	15	10	11
RFG202C	19	18	12	13
RFG202D	23	22	15	15
RFG202E	27	26	18	18
RFG202F	32	30	21	21
RFG202G	40	37	26	26
RFG202H	50	45	32	32
RFG202I	60	54	40	38



As Genco EEC's policy is one of continuous improvement, the Company reserves the right to change specifications as necessary, without prior notice. All dimensions and weights are approximate only.

### Key Specifications for Ranges

#### Standard Compliance

IEC 34 NDE 0530 NEMA COMA UTE 5100 ISO 8528/1

#### Voltage Regulation

Automatic voltage regulators maintains voltage to within +/-2%

#### Transformer Control

Available for rugged reliability and heavy motor starting

#### Insulation

Long-life tropical class H system

#### Enclosure

Standard mechanical protection IP22 (Drip Proof)

#### Coupling

Single or twin bearing

Required HP = Kw INPUT ÷ 0.746



### Genco EEC

Units 7 & 8, Ketton Business Estate  
Pit Lane, Ketton, Nr Stamford  
Lincolnshire PE9 3SZ United Kingdom

**T:** +44 (0)1780 721619

**F:** +44 (0)1780 721385

**E:** generators@gencoeec.co.uk

**W:** www.gencoeec.co.uk